

Enviroboards

Natural Thatch Tiles



Natural Thatch Tiles are an excellent and very cost effective way of creating traditional thatch roof effects on all kinds of construction. Natural tiles can be used to cover existing structures or provide an alternative finish on new projects. They are ideal for creating rustic themes indoors or outdoors.

Specifications:

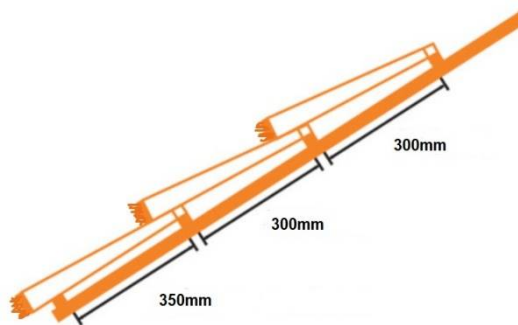
1200mm wide x 650mm high x 20mm thick
Supplied in boxes of 10
3 Thatch Tiles cover approx. 1sq metre

Installation:

Tiles can simply be nailed or stapled to a standard horizontal roof baton. A minimum roof pitch of 30 degrees is recommended and tiles should have an overlap of 350mm. Once installed properly tiles are 90% water tight, require little to no maintenance and should have a lifespan of 10 to 15 years.

Can be used for:

- Shelters
- Canopies
- Entrances
- Garden Sheds
- Gate Ways
- Gazebos
- Tree Houses
- Summer Houses
- Indoor Bars
- Exhibition Stands



1200mm x 650mm x 20mm

www.enviroboards.co.uk
VAT Registration No: 101 1279 73

Tel :08455 208880

info@enviroboards.co.uk
Company Registration No: 7365331