

Enviroboards

Fire-Board

Uni-Board

Enviroboards Fireboards are Magnesium Oxide Fireboard with reinforced Glass Fibre, for internal and external applications, delivering superior value for money when compared to Supalux, Masterboard and Gyproc. Enviroboards 9mm and 12mm Fireboards consist of non-combustible, non-toxic, Magnesium Oxide, Perlite and Glass Fibre Mesh forming a strong & lightweight board suitable for internal and external applications.

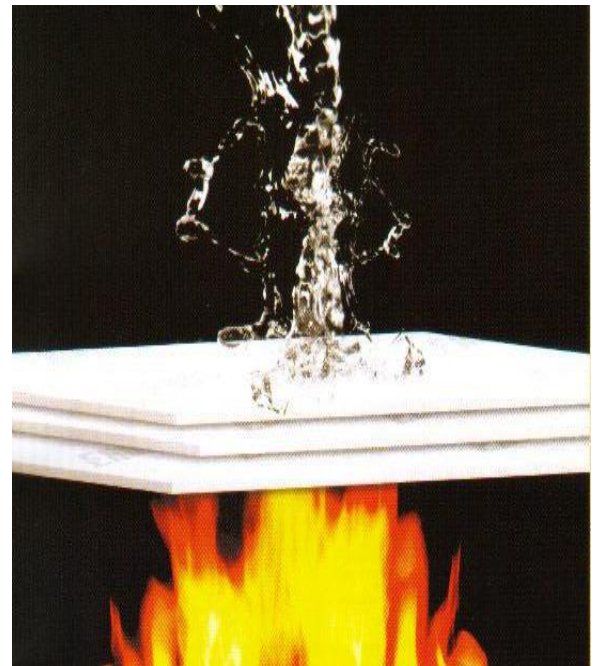
Fire-Board

Partition Walls & Ceilings
Timber & Steel Studs
Roofs
Oil Tank Fire Barriers
Timber Clad
Boundary Walls

Uni-Board

Linings of walkways
Soffits
Eaves
Acoustic performance
Non-load bearing elements
Conservatory re-roof

- ✓ Plaster board replacement where fire barriers are needed
- ✓ Replacement of multi layer build e.g. ply and plaster board
- ✓ Boards can be painted & decorated



Technical DATA 9mm Fireboard

Impact Resistance	5.5 KJ/m ²	Bending Strength	16 Mpa
Sound Insulation	42 dB	Thermal Conductivity	0.109 W/mk
Pull out strength	55 N	Thickness Tolerance	± 0.5 mm
R-Value	0.082 m ² K/W	Weight per sheet	29.5 Kg
Effects to Acid and Alkali	No effect	Shrinkage / Swelling Rate	≤ 0.3% / ≤0.6%
Colour	Off White	Fungus, Mould and Termite Resistant	
Tensile Strength	1.6 Nmm ²	Finished with smooth side and a sanded side	

Technical DATA 12mm Fireboard

Impact Resistance	12.7 KJ/m ²	Bending Strength	16 Mpa
Sound Insulation	54 dB	Thermal Conductivity	0.109 W/mk
Pull out strength	87 N	Thickness Tolerance	± 0.5 mm
R-Value	0.110 m ² K/W	Weight per sheet	39.5 Kg
Effects to Acid and Alkali	No effect	Shrinkage / Swelling Rate	≤ 0.3% / ≤0.6%
Colour	Off White	Fungus, Mould and Termite Resistant	
Tensile Strength	2.4 Nmm ²	Finished with smooth side and a sanded side	

Enviroboards

Fire-Board

Uni-Board

British and European tested to the following standards

BSEN 1716	Reaction to fire for building Products
BS 476 Part 3	9mm – 60mins – AA rating
BS476 Part 6	Class A1
BS 476 Part 7	Class 1
BS 476 Part 22	12mm – 65 mins insulation & 88 mins integrity, 9mm – 67 mins insulation & 67 mins integrity, 6mm – 34 mins insulation & 37 mins Integrity
BS EN1182	Non-combustible
BS EN13501-1	A1 rated
BS EN12467	Water Impermeable
BS EN12467	Heat Rain Incorporating Thermal Shock - Pass
BS EN594-2011	Racking Test on 9mm, fixed to timber frame – Category 1 rated
Class O Building Regulations Classification	
Manufactured to EN SIO 9001:2008	

ALWAYS CONSULT WITH YOUR LOCAL BUILDING CONTROL OFFICER BEFORE PROCEEDING WITH WORKS



Enviroboards – The Versatile Board Solution

Enviroboards 9mm and 12mm Fireboard is suitable for many applications including ceiling linings, steel structures, exterior cladding, fire rated partitions, soffits, roofs, eaves, gables, underlay systems, boxing for E&M services, and linings for walkways and communal areas.

Enviroboards 9mm and 12mm boards combine inherent strength, sound insulation and good thermal performance due its density and constructions.

Enviroboards boards are a strong and versatile product suitable for many uses in construction and refurbishment projects.

Please contact us to discuss your specific application.

We are pleased to have supplied our boards for projects at the following locations:

Wandsworth Council; St Mary's Hospital; Addenbrookes Hospital Cambridge; 199 Westminster Bridge Road; Euston Station ES2 Mezzanine upgrade; Gatwick Airport; Lambeth Council; York University; Benenden Hospital Redevelopment.

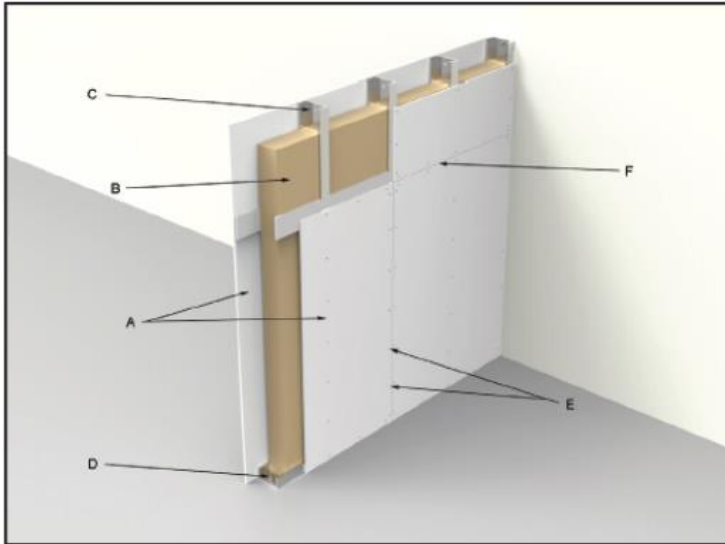
www.enviroboards.co.uk

VAT Registration No: 101 1279 73

Tel: 08455 208880

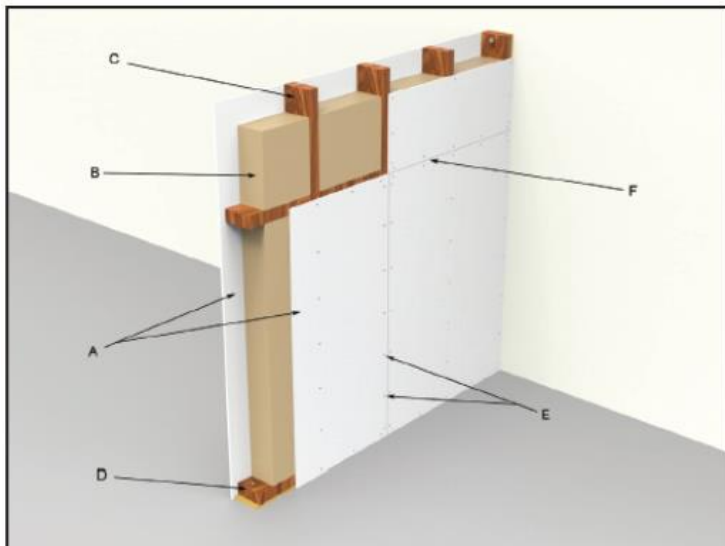
info@enviroboards.co.uk

Company Registration No: 7365331



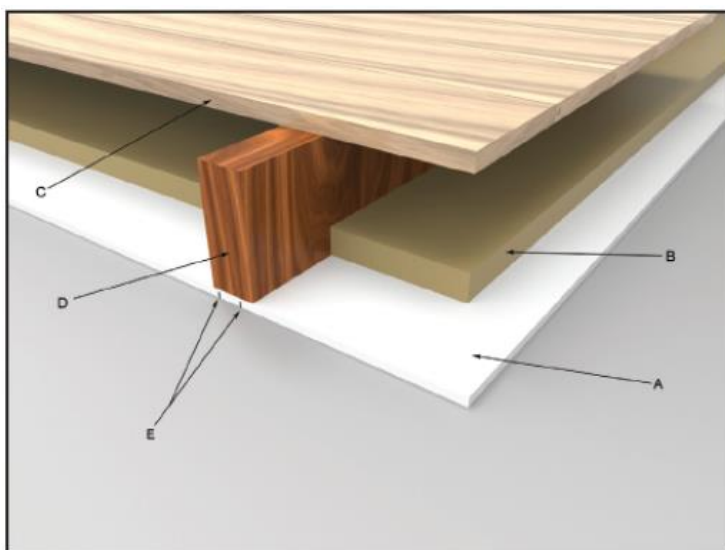
STEEL STUDS

- A. Enviroboards 9mm or 12mm Fireboard
- B. 50mm Rockwool Insulation
- C. Steel Stud
- D. Steel Stud
- E. Stainless steel countersunk drywall screws at 300mm centres
- F. All joints to be sealed with intumescent mastic



TIMBER STUD

- A. Enviroboards 9mm or 12mm Fireboard
- B. 50mm Rockwool Insulation
- C. Timber Stud
- D. Timber Stud
- E. Stainless steel countersunk drywall screws at 300mm centres
- F. All joints to be sealed with intumescent mastic



CEILING

- A. Enviroboards 9mm or 12mm Fireboard
- B. 50mm Rockwool Insulation
- C. Floor above joists
- D. Timber joists
- E. Stainless steel countersunk drywall screws at 300mm centres
- F. All joints to be sealed with intumescent mastic

Enviroboards

Fire-Board

Uni-Board

MATERIAL AND CHEMICAL SAFETY DATA SHEET

Board Ingredients		
Magnesium Oxide	6.8%	Non -Hazardous
Dolomite	7.5%	Non -Hazardous
Calcite	8.85%	Non -Hazardous
Brucite	27.25%	Non -Hazardous
Quartz	6.05%	Non -Hazardous
Magnesite	30.15%	Non -Hazardous
Lizardite	6.20%	Non- Hazardous
Other	7.20%	Non- Hazardous

Hazard Identification and First Aid Measures

The boards are classified as a non-dangerous substance.

Acute effects- Dust may cause irritation to the nose, throat and airways resulting in coughing and sneezing if inhaled during cutting, skin contact may cause irritation but cannot be absorbed through the skin.

Swallowed or inhaled

If swallowed dilute by drinking large amounts of water. Move to an area where there is fresh air.

Eye Contact

Wash the affected area with clean water or saline for 15 minutes.

IF ANY OF THE ABOVE SYMPTOMS PERSIST SEEK MEDICAL ADVICE

Personal Protection

When handling the boards that may generate dust follow practices to limit the release, work outdoors wherever possible, wear dust masks to limit exposure. When cutting wear safety goggles/glasses and gloves. Direct contact with the skin should be avoided.

The boards are not classified as a dangerous substance and contain **NO FORMALDEHYDE, ASBESTOS.**

No special provision is required regarding carriage and disposal of the boards and can be disposed of in landfill and placed in a skip with other general building waste and will not cause any harm to people of the environment.

